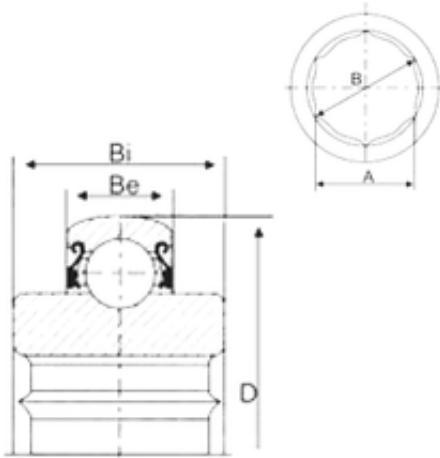




# BEARING DRIVESHAFT, INC.

29,26 mm x 62 mm x 24 mm CYSD 206KRRB6  
deep groove ball bearings



Bearing No. 206KRRB6

Size	29.26x62x24 mm
Bore Diameter	29,26 mm
Outer Diameter	62 mm
Width	24 mm
d	29,26 mm
D	62 mm
B	24 mm
C	16 mm
Be	16 mm
Bi	24 mm
A	25,43 mm

206KRRB6 Bearing 2D drawings and 3D CAD models