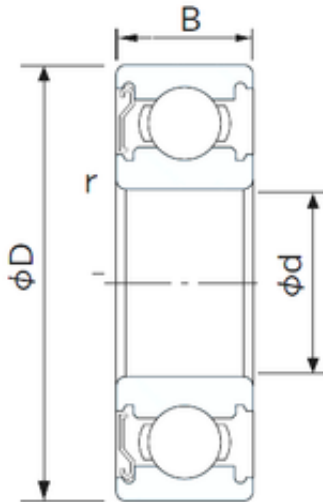




## BEARING DRIVESHAFT, INC.



140 mm x 210 mm x 33 mm CYSD 6028-Z deep groove ball bearings

Bearing No. 6028-Z

Size	140x210x33 mm
Bore Diameter	140 mm
Outer Diameter	210 mm
Width	33 mm
d	140 mm
D	210 mm
B	33 mm
C	33 mm
r min.	2 mm
Weight	3,48 Kg
Basic dynamic load rating (C)	110 kN
Basic static load rating (C0)	109 kN
(Grease) Lubrication Speed	2800 r/min

6028-Z Bearing 2D drawings and 3D CAD models