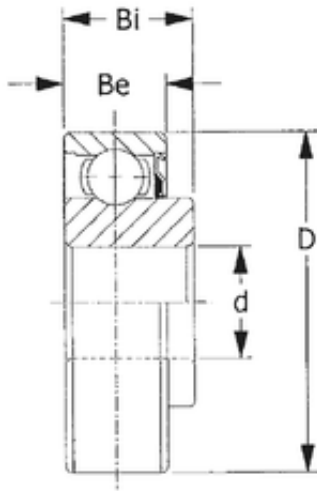




# BEARING DRIVESHAFT, INC.



19,063 mm x 45,225 mm x 15,494 mm CYSD  
204KR2 deep groove ball bearings

Bearing No. 204KR2

Size	19.063x45.225x15.494 mm
Bore Diameter	19,063 mm
Outer Diameter	45,225 mm
Width	15,494 mm
d	19,063 mm
D	45,225 mm
B	15,494 mm
C	15,494 mm

204KR2 Bearing 2D drawings and 3D CAD models